

HONDA

VFR750F

Set-up Instructions

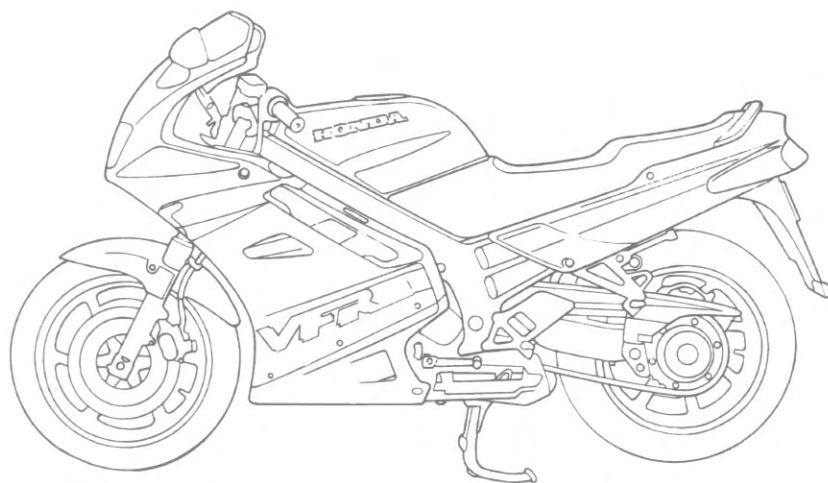
Instructions de préparation

Montageanleitung

Istruzioni di preparazione

Instrucciones de preparación

Aanwijzing voor montage



Throughout this manual, the following abbreviations are used to identify individual models:

E	United Kingdom	SW	Switzerland	FI	Finland
G	Germany	SP	Spain	U	Australia
F	France	IT	Italy	ND	Northern Europe
ED	Europe	AR	Austria	CM	Canada

Dans ce manuel, les abréviations suivantes sont utilisées pour identifier les différents modèles:

E	Royaume-Uni	SW	Suisse	FI	Finlande
G	Allemagne	SP	Espagne	U	Australie
F	France	IT	Italie	ND	Europe du Nord
ED	Europe	AR	Autriche	CM	Canada

Zur Identifizierung der einzelnen Modelle werden innerhalb dieses Handbuchs die folgenden Abkürzungen verwendet:

E	Großbritannien	SW	Schweiz	FI	Finnland
G	Deutschland	SP	Spanien	U	Australien
F	Frankreich	IT	Italien	ND	Nordeuropa
ED	Europa	AR	Österreich	CM	Kanada

In questo manuale, i diversi modelli vengono identificati per mezzo delle abbreviazioni seguenti:

E	Gran Bretagna	SW	Svizzera	FI	Finlandia
G	Germània	SP	Spagna	U	Australia
F	Francia	IT	Italia	ND	Europa del Nord
ED	Europa	AR	Austria	CM	Canada

En este manual, se utilizan las siguientes abreviaturas para identificar los modelos individuales:

E	Reino Unido	SW	Suiza	FI	Finlandia
G	Alemania	SP	España	U	Australia
F	Francia	IT	Italia	ND	Europa del norte
ED	Europa	AR	Austria	CM	Canadá

▲WARNING

SET-UP AND PRE-DELIVERY SERVICE MUST BE PERFORMED BY AN AUTHORIZED HONDA DEALER. Proper set up and pre-delivery service is essential to rider safety and reliability of the motorcycle. When a customer takes delivery of his brand new motorcycle, he expects it to be in excellent running condition. There are few things that will cause greater customer dissatisfaction than poor preparation of a new motorcycle. An error or oversight made by the mechanic assembling and servicing a new unit can easily result in fault operation, damage to the machine, or even injury to the rider.




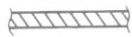







CAUTION:

- Take every precaution when removing the shipping crate not to damage the motorcycle.
- The torque values and sizes of bolts and nuts are also indicated below the work sequence number when or deemed necessary. The other bolts, screws and nuts must be tightened to the standard torques.
- Some parts may differ in shape from those illustrated according to market differences.
- After the motorcycle has been set up, perform the pre-delivery inspections as described in the PRE-DELIVERY SERVICE CHECKLIST at the back of manual.
- Refer to owner's manual for specifications and detailed procedures. Always test ride the unit to make sure that it is functioning properly.
- Service battery as described on battery preparation label on battery electrolyte container.

HOW TO USE THIS MANUAL

- Each loose part is indexed to the work sequence number ([1][2]...). Install or remove the loose parts in the order indicated.
- Tally all loose parts with the Parts List in the manual.

SYMBOLS USED IN THIS MANUAL

- | | | | |
|---|--|---|-----------------------------|
|  | : Coat with engine oil |  | : Choke cable |
|  | : Push through |  | : Front brake hose or cable |
|  | : Engage into |  | : Clutch hose or cable |
|  | : Torque to 10 N·m (1.0 kg-m, 7 ft-lb) |  | : Throttle cable |
| 10 (1.0, 7) | |  | : Speedometer cable |
|  | : Use this type of bolt or screw
(diameter x length mm) | | |
| (Example) | (diameter mm) or size not listed | | |
|  | : Size of nuts (diameter mm) | | |

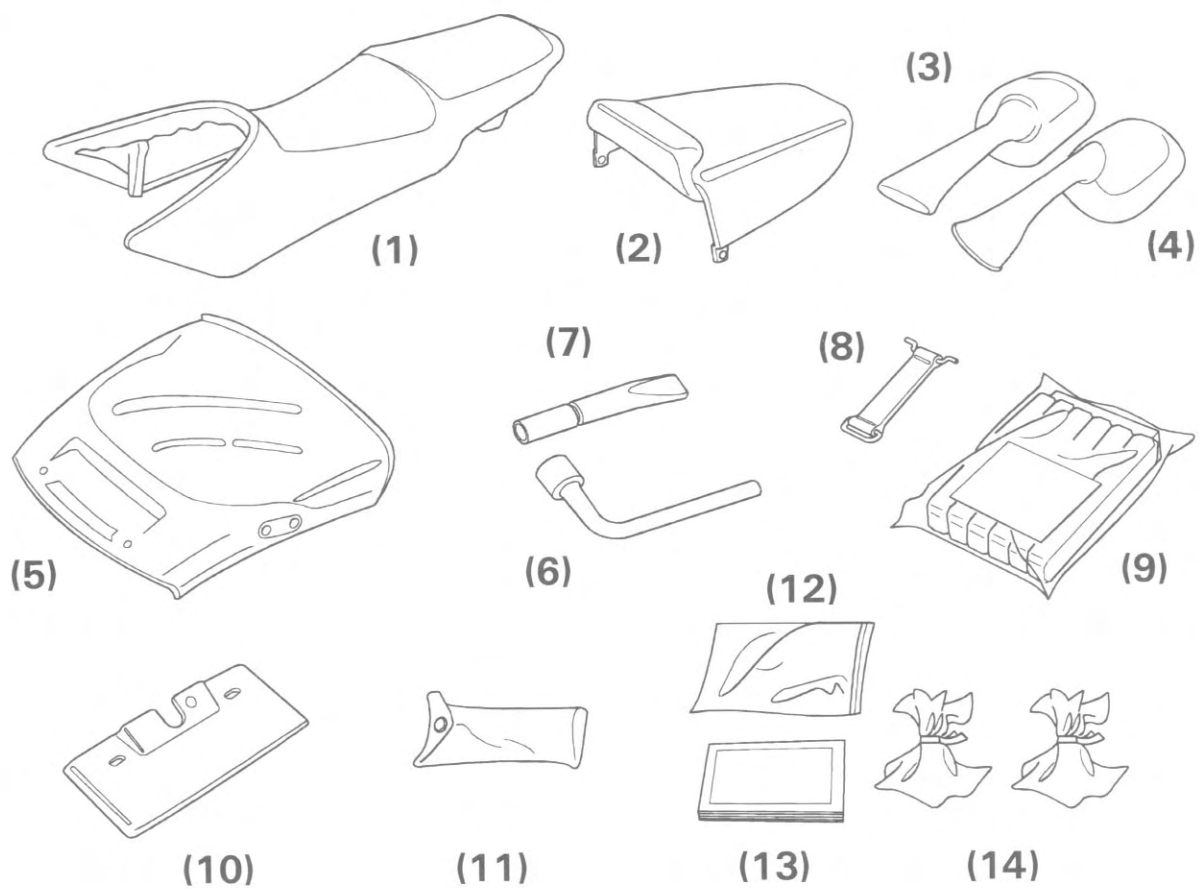


A : Work sequence number

B : Size of bolt, screw or nut, and torque value

[1] : These numbers represent INSTALLATION sequence.

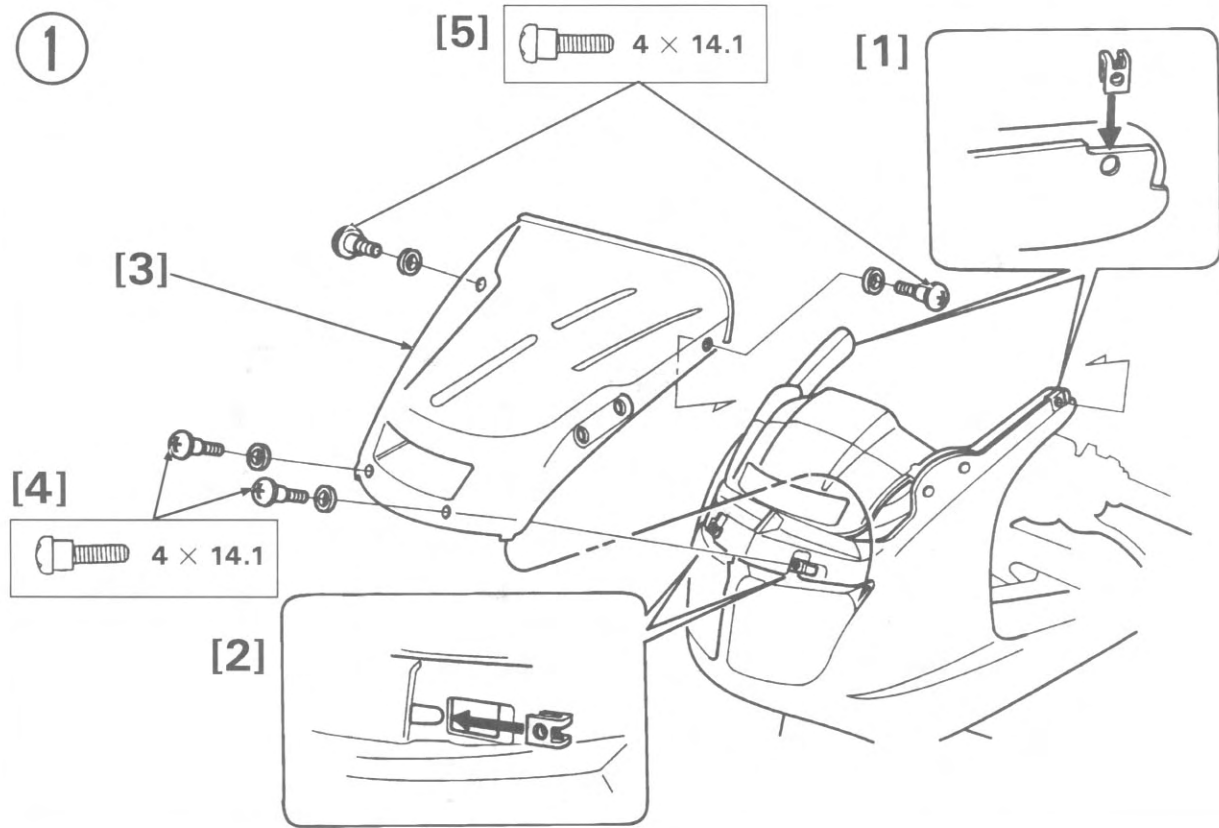
1 : White numbers on black ground represent DISASSEMBLY sequence.



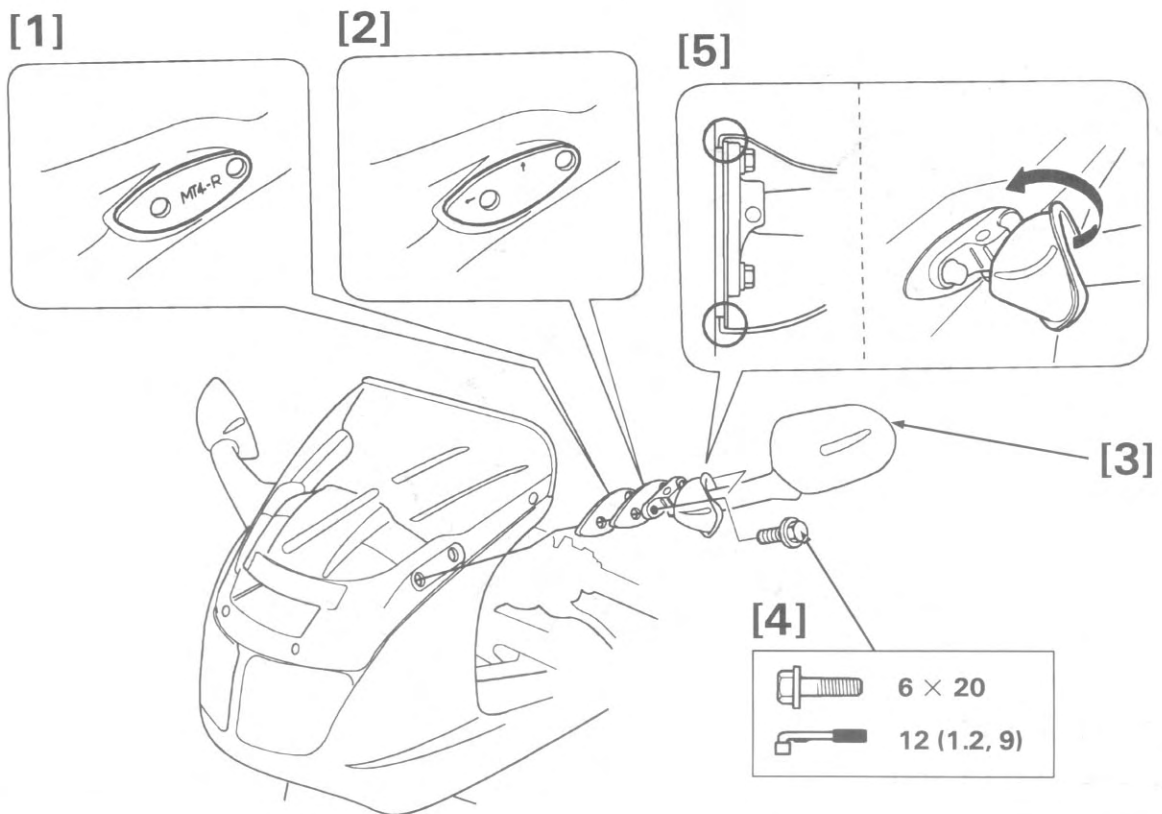
NO.	DESCRIPTION	Q'TY	PART NUMBER	TYPE
(1)	Double seat	1	77200-MY7-650	CM, SW, AR E, ED, U, IT, SP, G, F
		1	77200-MY7-000	
(2)	Single seat	1	77220-MY7-000	
(3)	Right rear view mirror	1	88110-MV9-003	
(4)	Left rear view mirror	1	88120-MV9-003	
(5)	Wind screen	1	64180-MY7-670	CM E, ED, U, SW, AR, IT, SP G F
		1	64180-MY7-600	
		1	64180-MY7-610	
		1	64180-MY7-620	
(6)	Wheel wrench	1	89211-MT4-000	
(7)	Rear wheel wrench grip	1	89256-MT4-000	
(8)	Tool band	1	80118-MT4-000	
(9)	Battery liquid	1	-	
(10)	Rear fender mud guard	1	80121-MT4-730	SW
(11)	Tool set	1	89010-MY7-000	
(12)	Owner's manual bag	1	77251-342-000	
(13)	Owner's manual	1	-	

NO.	DESCRIPTION	Q'TY	PART NUMBER	TYPE
(14)	Attaching hard wear			
	- 5 mm flange nut, mud guard	2	90303-GE8-000	SW
	- Flange collar, mud guard	2	80121-GJ5-000	SW
	- 5 × 16 mm screw/washer, mud guard	2	93894-05016-07	SW
	- Stopper ring	2	51405-MB4-003	
	- Steering nut cap	1	53232-MJ4-670	
	- 4 mm clip nut, wind screen	4	64527-ML7-000	
	- Wind screen setting screw	4	90101-MT4-000	
	- Wind screen rubber	4	90501-MT4-700	
	- 6 × 20 mm flange bolt, rear view mirror	4	95701-06020-08	
	- 8 × 35 mm flange bolt, handlebar	2	90103-KK4-000	
	- 8 × 28 mm socket bolt, step stay	2	90105-MA6-750	

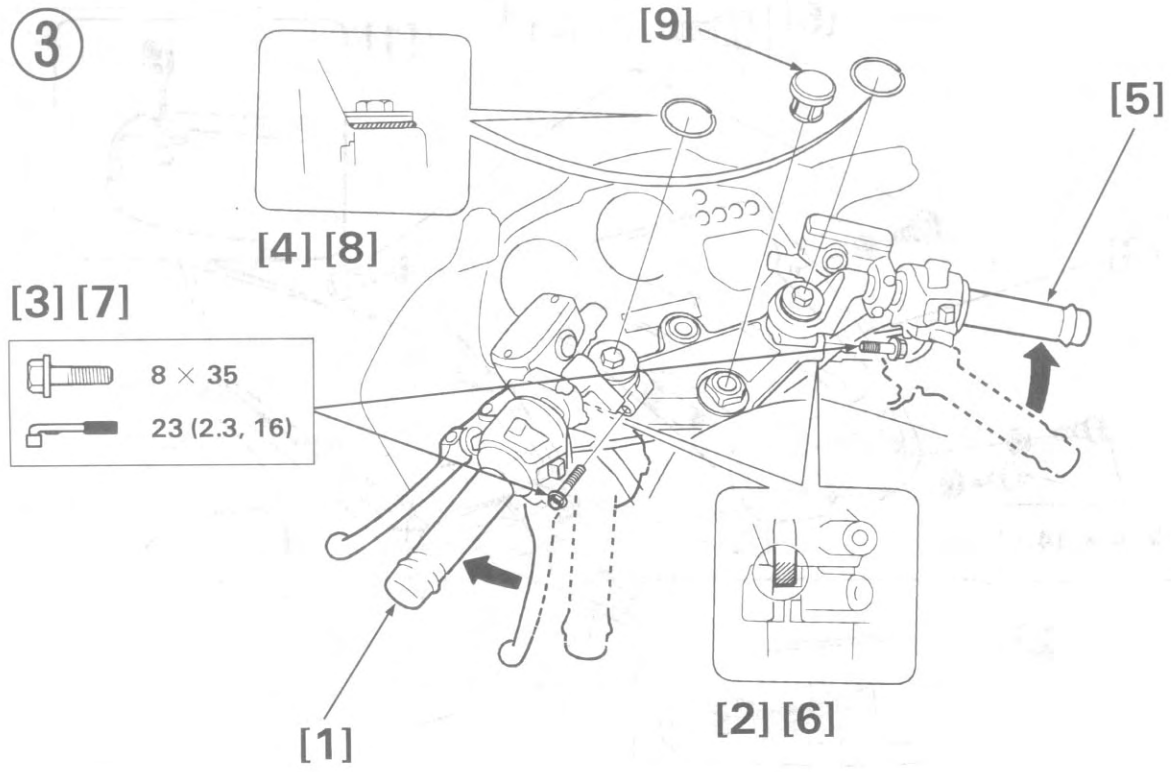
1



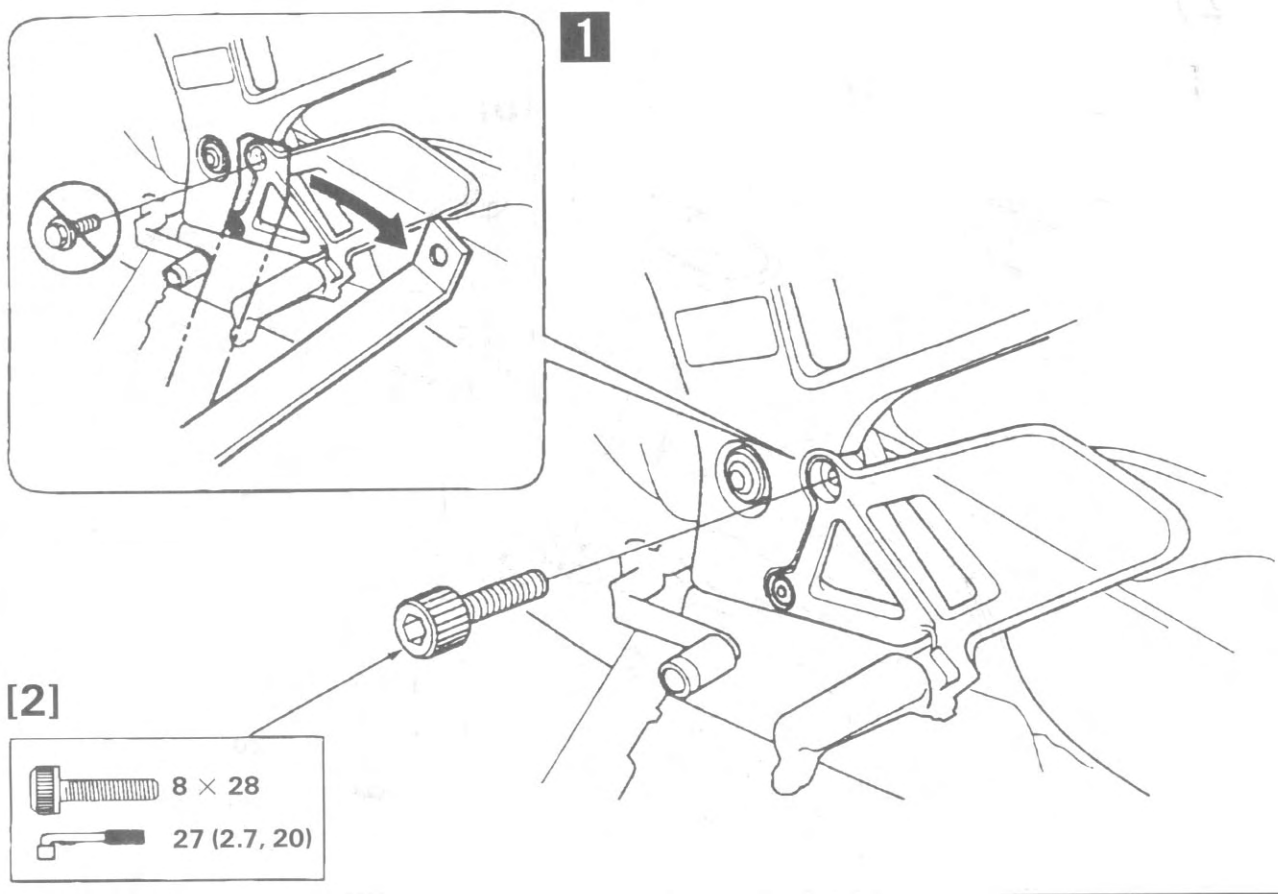
2



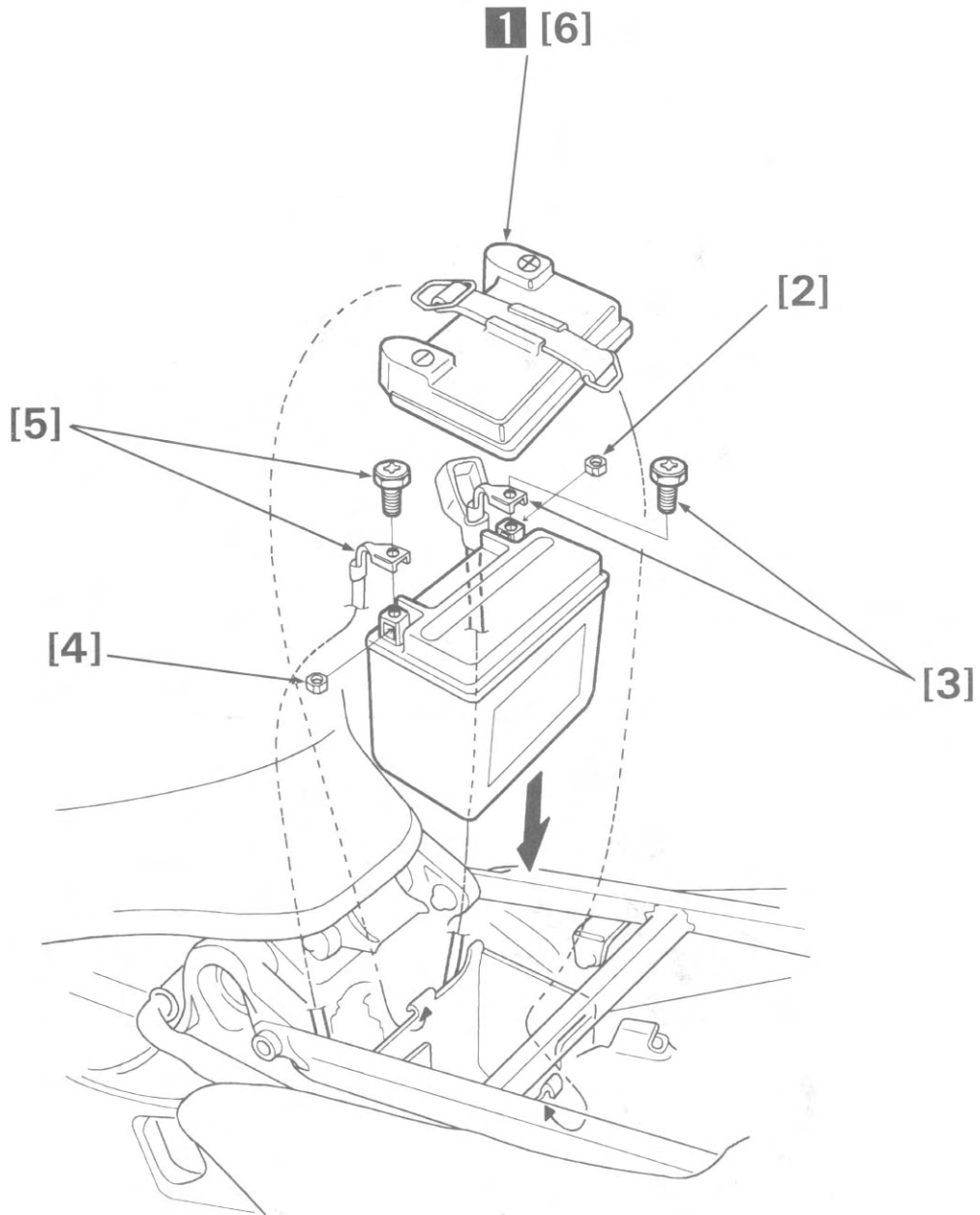
3



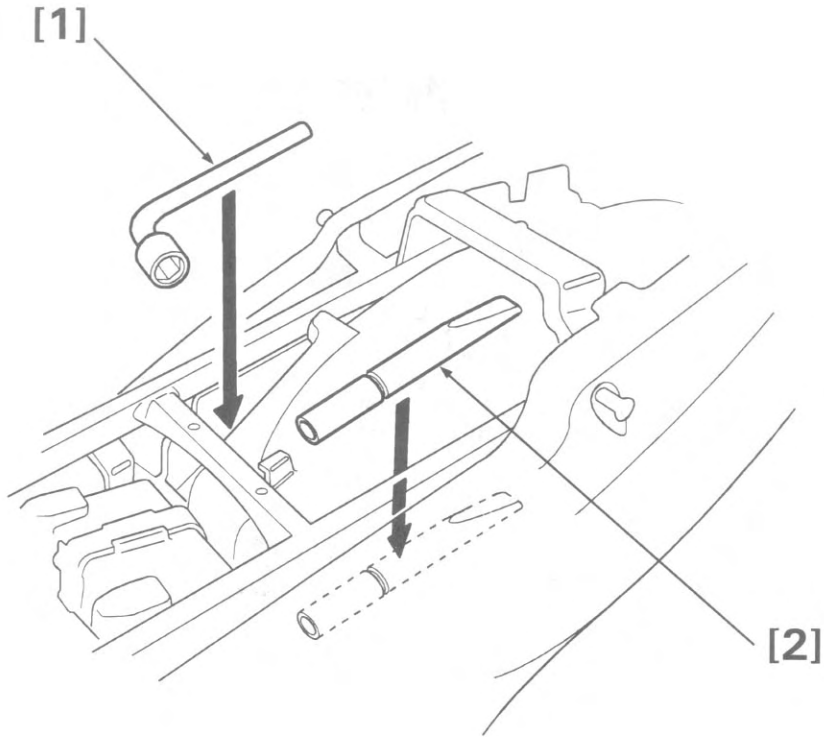
4



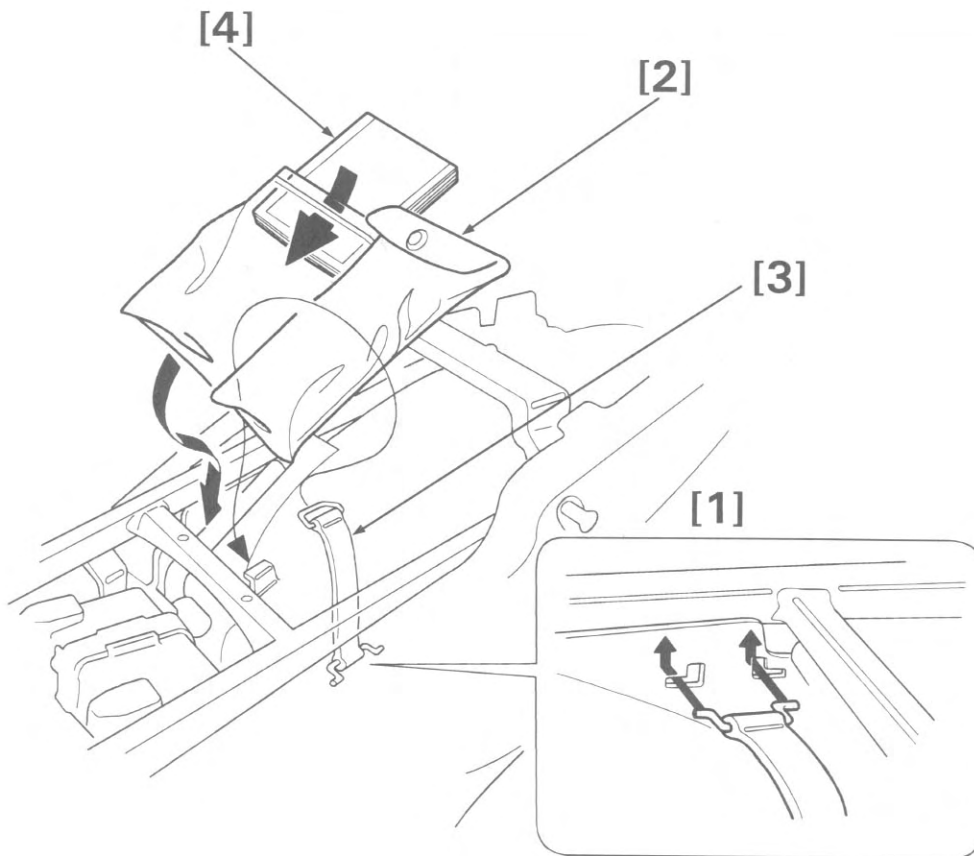
5



6

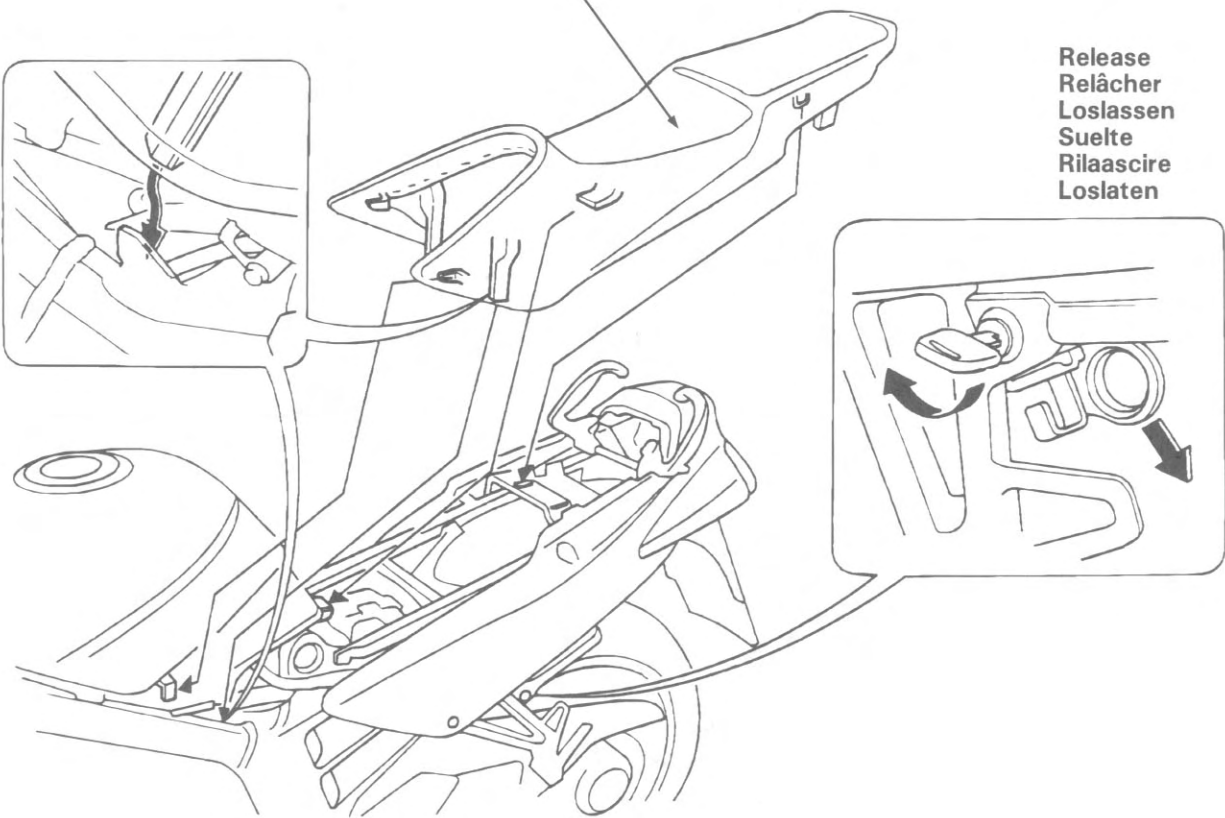


7



8

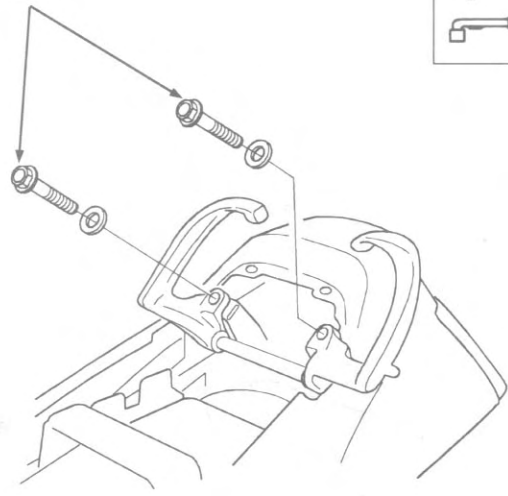
[1]





Release
Relâcher
Loslassen
Suelte
Rilasciare
Loslaten

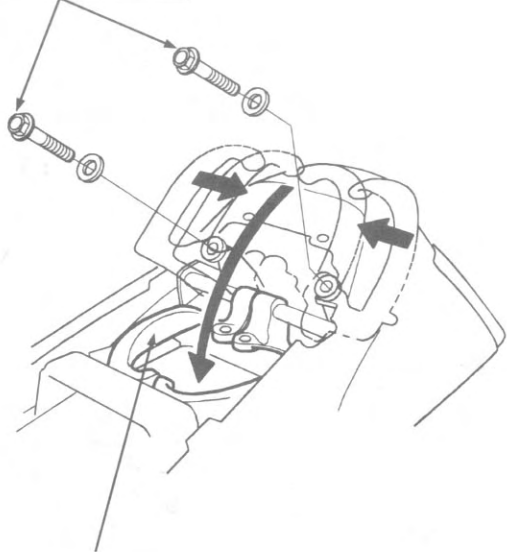
9

1



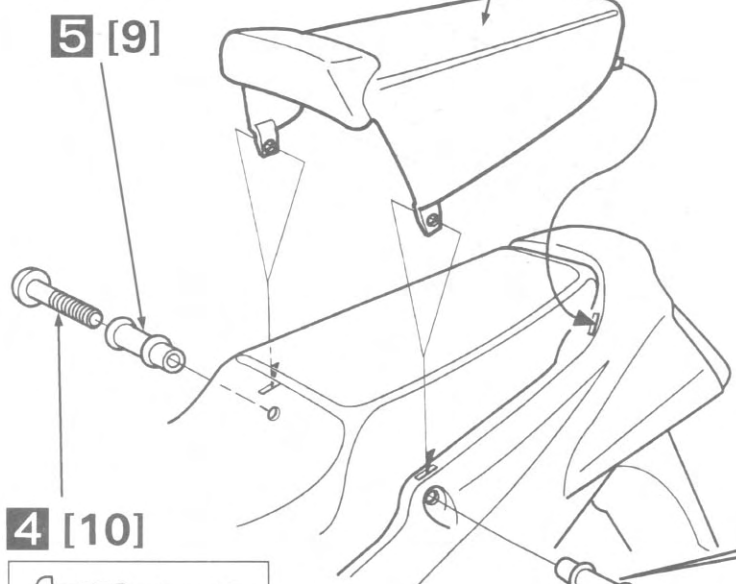
[3]

-  8 x 33
-  35 (3.5, 25)



[2]

[8]

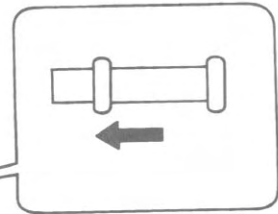


5 [9]

4 [10]

-  6 x 36

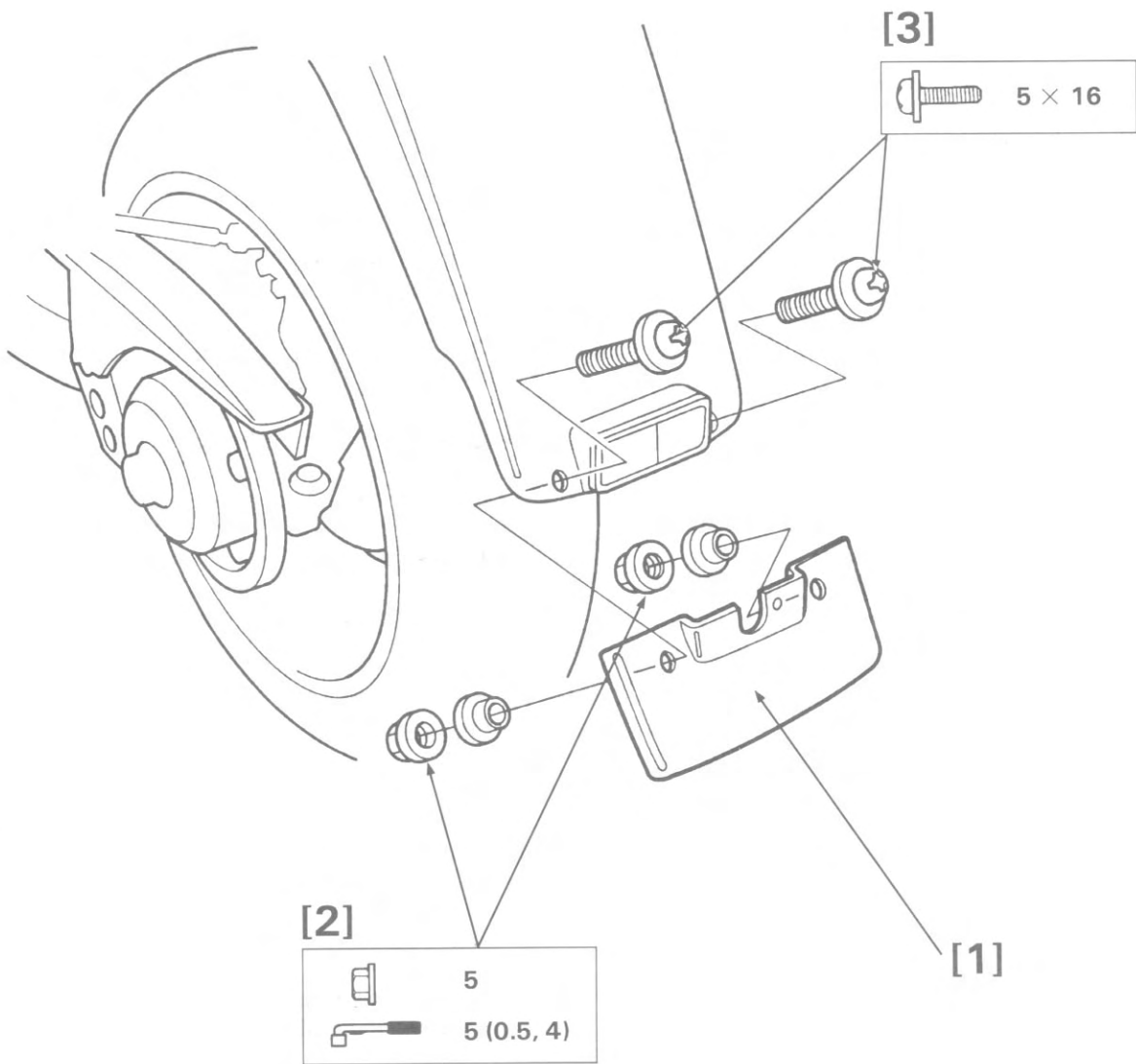
7 [11]



6 [12]

-  6 x 36

10 SW



NOTE:

Check all items listed on the following Pre-Delivery Service Checklist. Refer to owner's manual or shop manual for specifications and detailed procedures. Always test ride the unit to make sure that it is functioning properly.

PRE-DELIVERY SERVICE CHECKLIST

- Fill front and rear brakes and clutch master cylinder reservoirs with DOT 4 brake fluid, and bleed brake and clutch systems, if necessary.
- Check for front and rear brake operation.
- Fill crankcase with recommended oil
- Fill cooling system and check for leaks.
- Check choke operation and adjust idle speed.
- Synchronize carburetors.
- Check throttle grip free play, cable routing, and operation in all steering positions.
- Adjust and lubricate drive chain.
- Check tyre pressure.
- Inspect electrical components for proper operation and adjustment.
 - Head light: Adjust high and low beam aim, and check high beam pilot light.
 - Tail and stoplight.
 - Stoplight switches: Adjust and check operation with both front and rear brake controls.
 - Turn signals.
 - Position light.
 - Horn.
 - Engine stop switch.
 - Starter
 - Instrument, turn signal, headlight, and neutral indicator lights.
- Warning lights.
- Battery charging system.
- Check security of all nuts, bolts and other fasteners.
- Check to ensure that all applicable recall and product update campaigns are complied with.
- TEST RIDE: Check performance, handling and operation.
 - Transmission and clutch: Ease of shifting, clutch operation, etc.
 - Acceleration: Smoothness, etc.
 - Cruising: Smoothness, etc.
 - Turn signals
 - Handling: Stability and cornering.
 - Brakes: Smoothness and stopping power.
 - Idling: Smoothness, throttle response, return to idle.
 - Recheck idle speed after 10 minutes of stop and go riding.
 - Speedometer and Tachometer: Proper operation.
 - Upon completion of test ride, check for fuel, oil or coolant leaks; check fan operation.

HONDA

HONDA MOTOR CO., LTD. TOKYO, JAPAN